



TRIATHLON HT

Maintenance-free and high load bearing up to 200°C

The TRIATHLON HT high-performance chain has a high load capacity for temperatures up to 200°C, even without additional lubricants, and is extremely wear-resistant.

Whether with minimal surface lubrication to protect the sprockets or completely free of lubrication for highly sensitive applications, the TRIATHLON HT sets new standards with perfectly coordinated materials, coated pins, special coated rollers and also through its innovative high-tech polymer bushings in numerous application areas.

Designed for difficult applications

In many production processes, the combination of high temperatures and sensitive components present specific requirements for the chains.

In the automotive industry, hoisting and conveyor chains thus reduce scrap in the coating process by avoiding unwanted paint wetting with lubricant residues, in contrast to conventionally lubricated chains. In the electrical industry, chains have to be complete dry without lubrication to avoid chemical reactions e.g. in casting resins.

Proven in practice

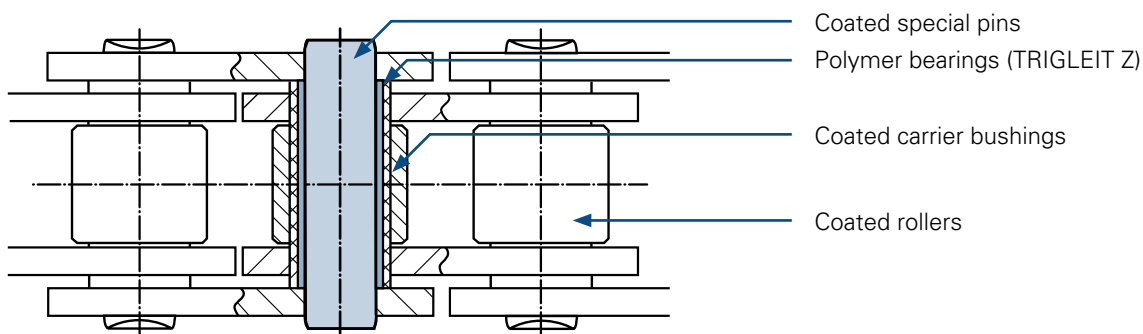
The durability of the TRIATHLON HT is achieved through unique material combinations with special coated pins and polymer bearings. Many renowned companies have recognised the benefits of the TRIATHLON HT and are already demonstrating the success of our high-performance chains under high loads and temperatures, which require uncompromised durability and wear resistance.

Technical features

- Coated bushings with high-tech polymer inserts
- Coated pin chains
- Coated rollers

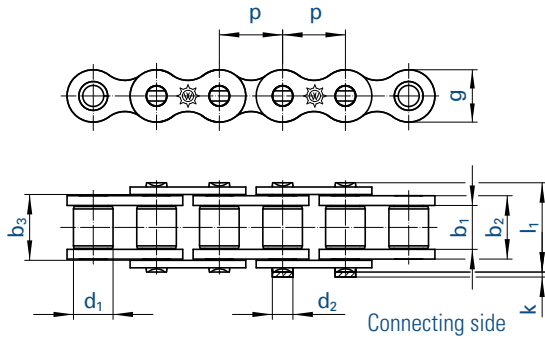
Benefits for application

- Highly resilient, low friction chain joints
- No relubrication required
- Lubricant-free for chain speeds up to 2.5 m/s
- Temperatures from -30°C to +200°C

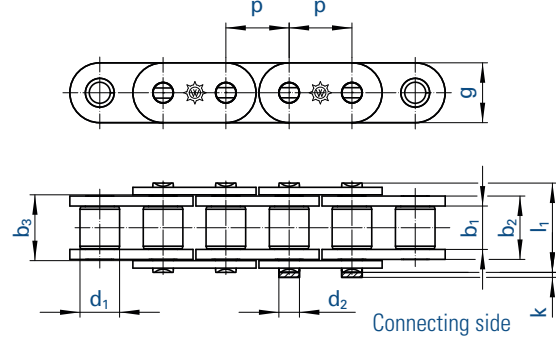




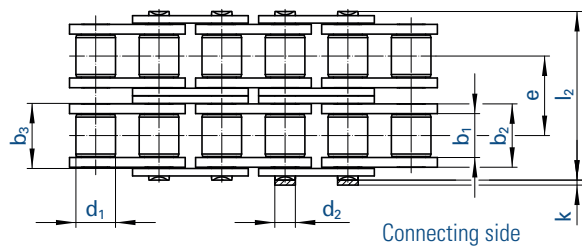
Simplex chains



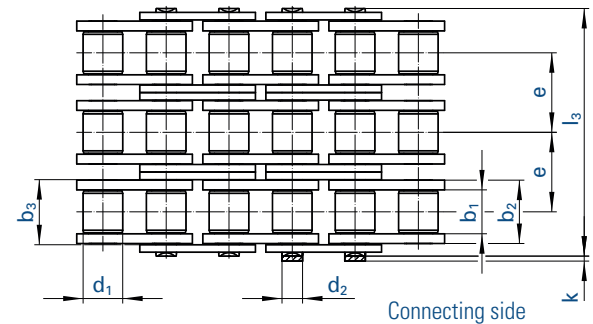
Simplex chains (type series GL)



Duplex chains



Triplex chains



Chain according to ISO 606		Pitch		Inner width	Inner link width	Outer plate width	Roller Ø	Pin Ø	Transverse pitch	Plate height	Projection over connecting link	Width over pin	Bearing area	Breaking load	Weight	Connecting links
⚙		p		b ₁ min.	b ₂ max.	b ₃ min.	d ₁ max.	d ₂ max.	e	g max.	k max.	l max.	f	F _B min.	q ≈	No.
No.	Ind.	mm	inch	mm	mm	mm	mm	mm	mm	mm	mm	mm	cm ²	kN	kg/m	No.
08 B-1 TR HT		12,700	1/2	7,75	11,30	11,43	8,51	4,45	-	11,8	3,9	17,0	0,50	18,6	0,70	11,12,15
10 B-1 TR HT		15,875	5/8	9,65	13,28	13,41	10,16	5,08	-	14,7	4,1	19,6	0,67	27,0	0,91	11,12,15
12 B-1 TR HT		19,050	3/4	11,68	15,62	15,75	12,07	5,72	-	16,1	4,6	22,7	0,89	31,0	1,18	11,12,15
16 B-1 TR HT		25,400	1	17,02	25,40	25,60	15,88	8,28	-	21,0	5,4	36,1	2,10	72,0	2,68	11,111,12
20 B-1 TR HT		31,750	1 1/4	19,56	29,00	29,20	19,05	10,19	-	26,4	6,1	43,2	2,96	105,0	3,50	111,12
24 B-1 TR HT		38,100	1 1/2	25,40	37,90	38,20	25,40	14,63	-	33,4	6,6	53,4	5,54	180,0	6,80	111,12
08 B-2 TR HT		12,700	1/2	7,75	11,30	11,43	8,51	4,45	13,92	11,8	3,9	31,0	1,01	37,0	1,36	11,12,15
10 B-2 TR HT		15,875	5/8	9,65	13,28	13,41	10,16	5,08	16,59	14,7	4,1	36,2	1,34	54,0	1,82	11,12,15
12 B-2 TR HT		19,050	3/4	11,68	15,62	15,75	12,07	5,72	19,46	16,1	4,6	42,2	1,79	63,0	2,38	11,12,15
16 B-2 TR HT		25,400	1	17,02	25,40	25,60	15,88	8,28	31,88	21,0	5,4	68,0	4,21	140,0	5,30	11,111,12
20 B-2 TR HT		31,750	1 1/4	19,56	25,40	29,20	19,05	10,19	36,45	26,4	6,1	79,0	5,91	210,0	7,30	111,12
24 B-2 TR HT		38,100	1 1/2	25,40	37,90	38,20	25,40	14,63	48,36	33,4	6,6	101,0	11,09	360,0	13,40	111,12
08 B-3 TR HT		12,700	1/2	7,75	11,30	11,43	8,51	4,45	13,92	11,8	3,9	44,9	1,51	56,0	2,01	11,12,15
10 B-3 TR HT		15,875	5/8	9,65	13,28	13,41	10,16	5,08	16,59	14,7	4,1	52,8	2,02	80,0	2,70	11,12,15
12 B-3 TR HT		19,050	3/4	11,68	15,62	15,75	12,07	5,72	19,46	16,1	4,6	61,7	2,68	94,0	3,12	11,12,15
16 B-3 TR HT		25,400	1	17,02	25,40	25,60	15,88	8,28	31,88	21,0	5,4	99,9	6,31	211,0	7,50	11,111,12
20 B-3 TR HT		31,750	1 1/4	19,56	29,00	29,20	19,05	10,19	36,45	26,4	6,1	116,0	8,87	300,0	10,60	111,12
24 B-3 TR HT		38,100	1 1/2	25,40	37,90	38,20	25,40	14,63	48,36	33,4	6,6	150,0	16,63	523,0	20,00	111,12

Other chain sizes available on request. Can also be supplied with attachments and straight plates (type series GL).
Chains 16-B GLS available with plate height g = 21 mm (max.) and as type series GL with g = 24 mm (max.)

Standard sprockets can be used for these chains.

Connecting links: According to ISO (...)

