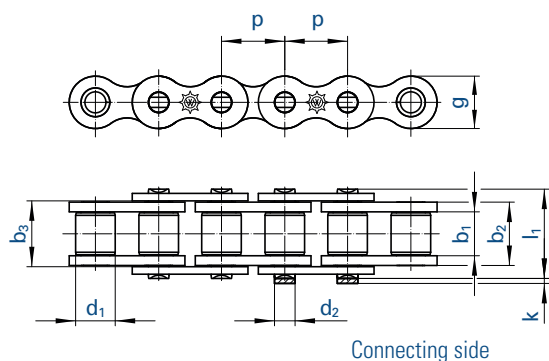
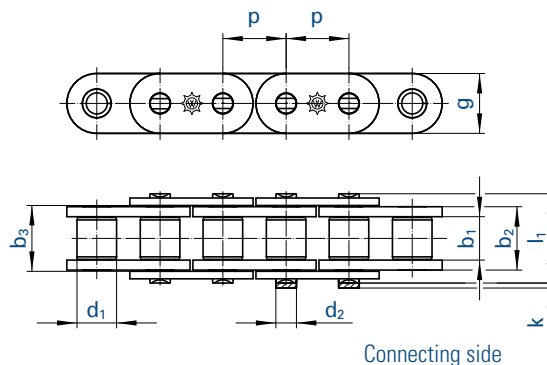




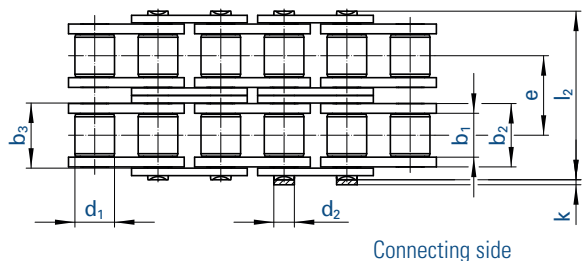
Simplex chains



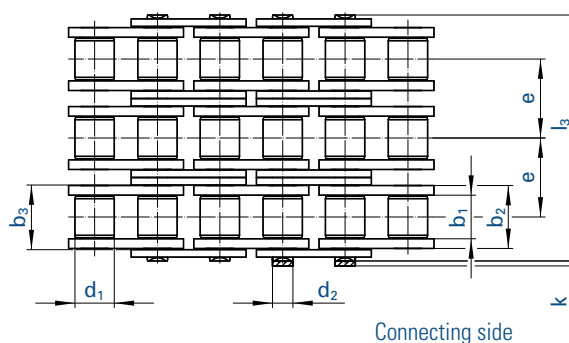
Simplex chains (Type GL)



Duplex chains



Triplex chains



Chain		Pitch		Inner width	Inner link width	Outer plate width	Roller Ø	Pin Ø	Transverse pitch	Plate height	Projection over connecting link	Width over pin	Bearing area	Breaking load	Weight	Connecting links
⚙️		p		b ₁ min.	b ₂ max.	b ₃ min.	d ₁ max.	d ₂ max.	e	g max.	k max.	l max.	f	F _B min.	q ≈	No.
No.	Ind.	mm	inch	mm	mm	mm	mm	mm	mm	mm	mm	mm	cm ²	kN	kg/m	No.
548 GLX	¹	25,400	1	17,02	25,40	25,60	15,88	8,28	-	24,0	5,4	36,1	2,10	85,0	3,29	4,7,11,111
D548 GLX	¹	25,400	1	17,02	25,40	25,60	15,88	8,28	31,88	24,0	5,4	68,0	4,21	170,0	6,59	4,7,11,111
T548 GLX	¹	25,400	1	17,02	25,40	25,60	15,88	8,28	31,88	24,0	5,4	99,9	6,31	270,0	8,50	4,7,11,111
563 GLX	¹	31,750	1 ¼	19,56	29,00	29,20	19,05	10,19	-	26,4	6,1	43,2	2,95	123,0	4,13	4,7,11,111
D563 GLX	¹	31,750	1 ¼	19,56	29,00	29,20	19,05	10,19	36,45	26,4	6,1	79,0	5,91	240,0	8,03	4,7,11,111
T563 GLX	¹	31,750	1 ¼	19,56	29,00	29,20	19,05	10,19	36,45	26,4	6,1	116,0	8,87	350,0	11,66	4,7,11,111
596 R		38,100	1 ½	25,40	37,90	38,20	25,40	13,50	-	36,0	6,6	53,4	5,12	200,0	7,10	4,7,111
596 SX		38,100	1 ½	25,40	39,90	40,20	25,40	14,63	-	36,0	6,6	56,5	5,84	235,0	8,20	4,7,111
50 HX	¹⁴	15,875	5/8	9,40	14,60	14,73	10,16	5,08	-	15,0	4,1	23,4	0,75	33,4	1,18	4,7,11
60 HX	¹⁴	19,050	3/4	12,57	19,45	19,60	11,91	5,94	-	18,0	4,6	28,9	1,16	50,0	1,94	4,7,11
80 HX	¹⁴	25,400	1	15,75	24,28	24,49	15,88	7,92	-	24,1	5,4	37,0	1,92	75,6	3,04	4,7,111
100 HX	¹⁴	31,750	1 ¼	18,90	29,10	29,30	19,05	9,53	-	30,1	6,1	44,0	2,77	113,4	4,25	4,7,111

¹ with straight side plates ¹⁴ Type series HX with reinforced plates and pins made of quenched and tempered steel

For details on orders and enquiries see page 131. Sprockets on request.

Connecting links: According to ISO (...)



No. 4 (B)
Inner link



No. 7 (A)
Outer link
(to be riveted)



No. 11 (E)
Spring clip
connecting link



No. 111 (S)
Connecting link
with cottered pin